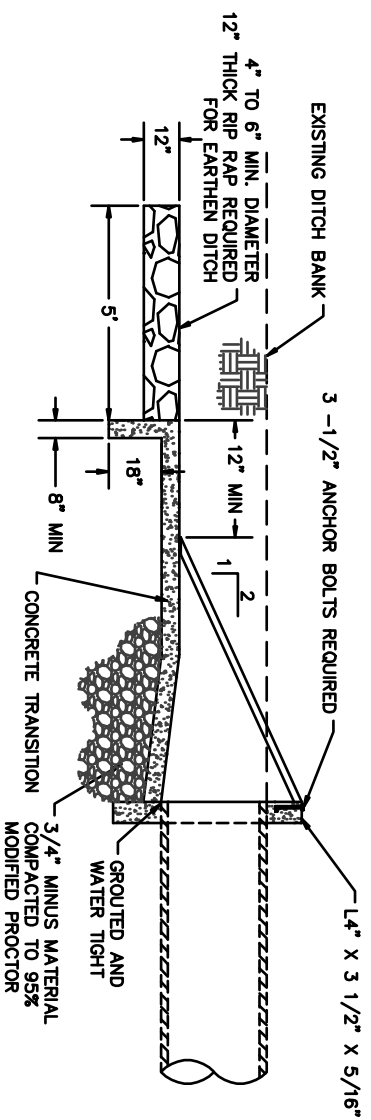
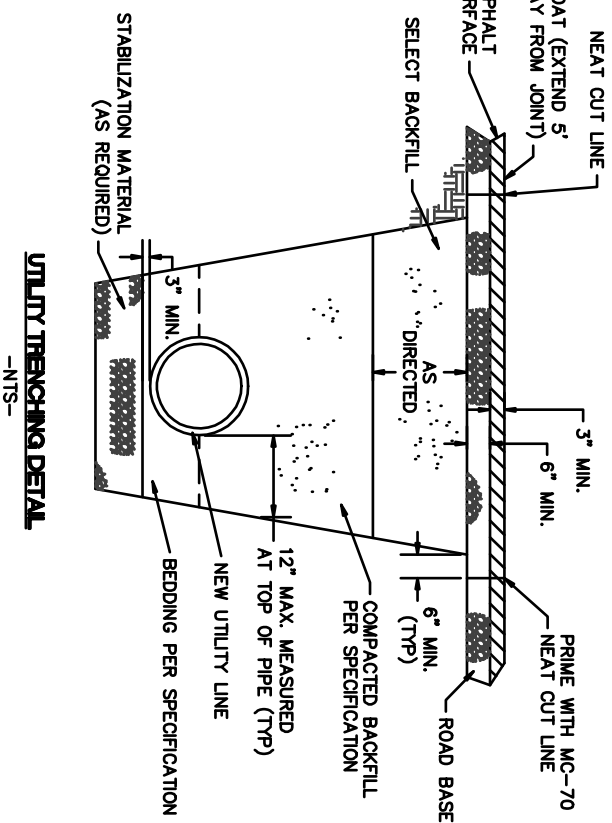


TRASH RACK PLAN
-NTS-

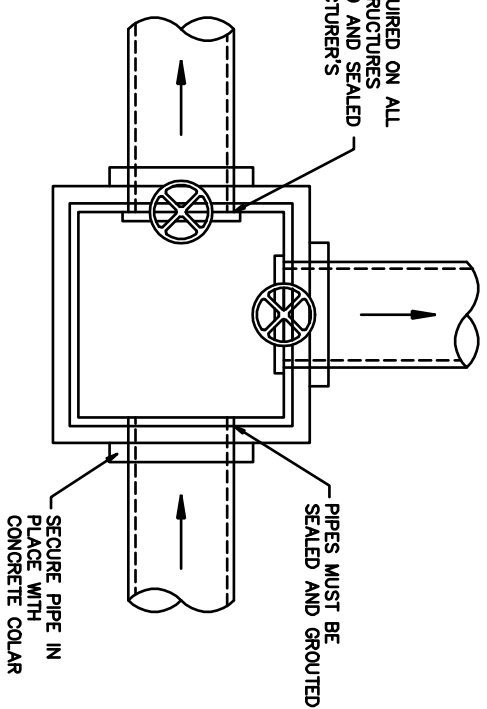


TRASH RACK SECTION
-NTS-

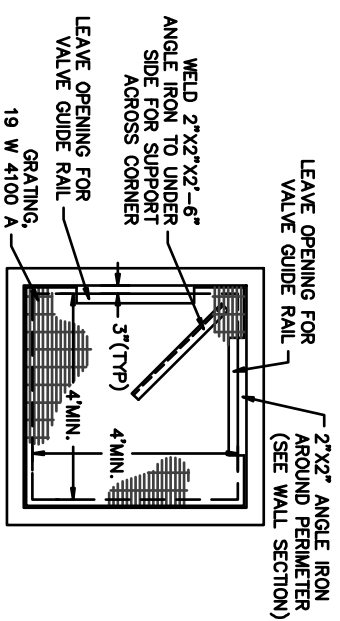


UTILITY TRENCHING DETAIL
-NTS-

SCREW TYPE GATES REQUIRED ON ALL MAIN LINE DIVERSION STRUCTURES AND MUST BE INSTALLED AND SEALED ACCORDING TO MANUFACTURER'S SPECIFICATIONS

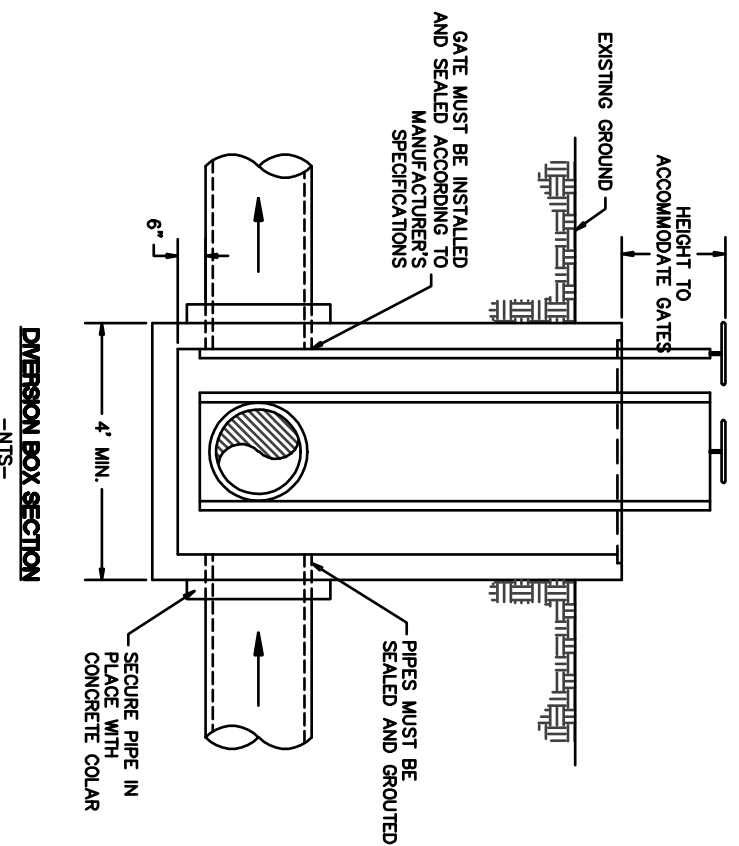


DIVERSION BOX
-NTS-

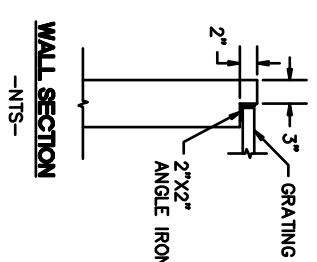


GRATE DETAIL - TOP VIEW
-NTS-

NOTE
1) ALL PIPES INTO BOX SHALL BE GROUTED AND WATERTIGHT WITH CONCRETE COLLAR.
2) BOXES MAYBE PRECAST OR CAST IN PLACE. BOXES SHALL HAVE A MINIMUM INTERIOR WIDTH AND LENGTH OF 4' WITH #4 REBAR TO BE PLACED AT 12" O.C. BOXES MUST BE SUBMITTED FOR REVIEW.
3) TURNOUT AND DIVERSION BOXES SHALL NOT BE PLACED IN ROADWAY.



DIVERSION BOX SECTION
-NTS-



WALL SECTION
-NTS-

REVISIONS			
NO.	DATE	DESCRIPTION	BY
1		DESIGNED BY	LEH
2		CHECK BY	LEH
3		DATE	07/02/08
4		FILE	

TRANE ENGINEERING, P.C.
CONSULTING ENGINEERS AND LAND SURVEYORS
170 SOUTH INTERSTATE PLAZA DRIVE SUITE 200 LEHI, UTAH 84043 (801) 768-4644

LEHI, UTAH

LEHI IRRIGATION COMPANY

DETAIL SHEET
JOB LEHI IRR.
SHEET NO. 1 OF 1